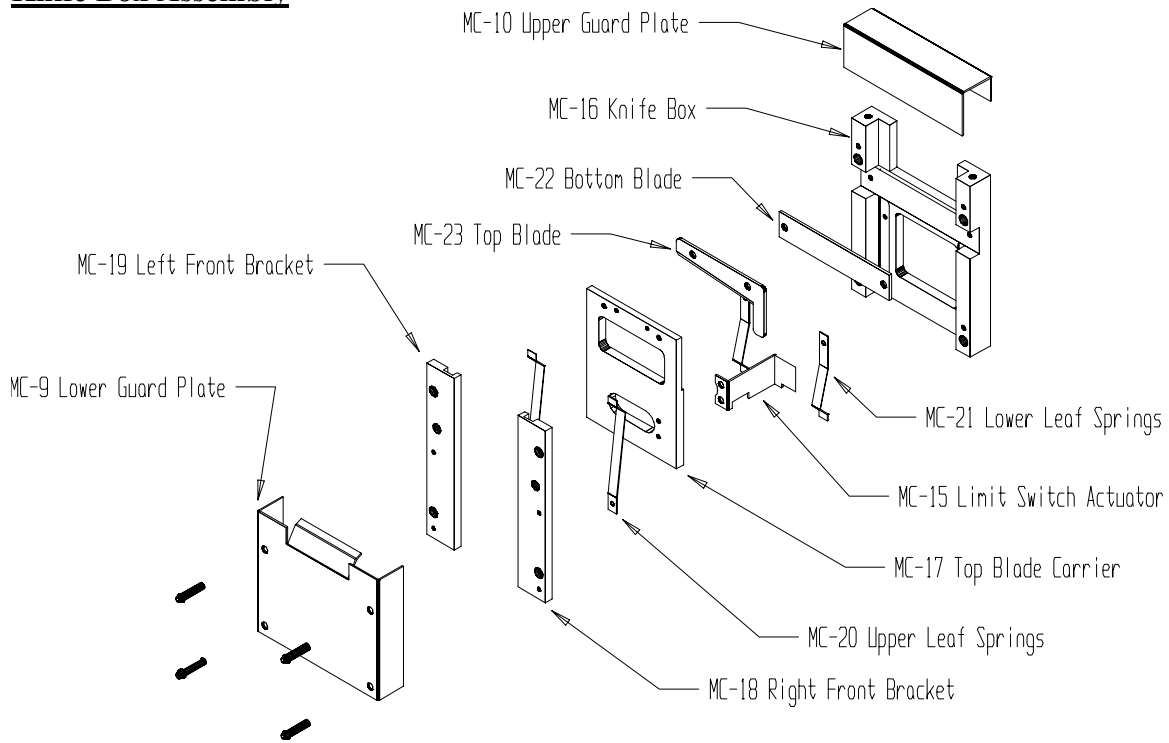


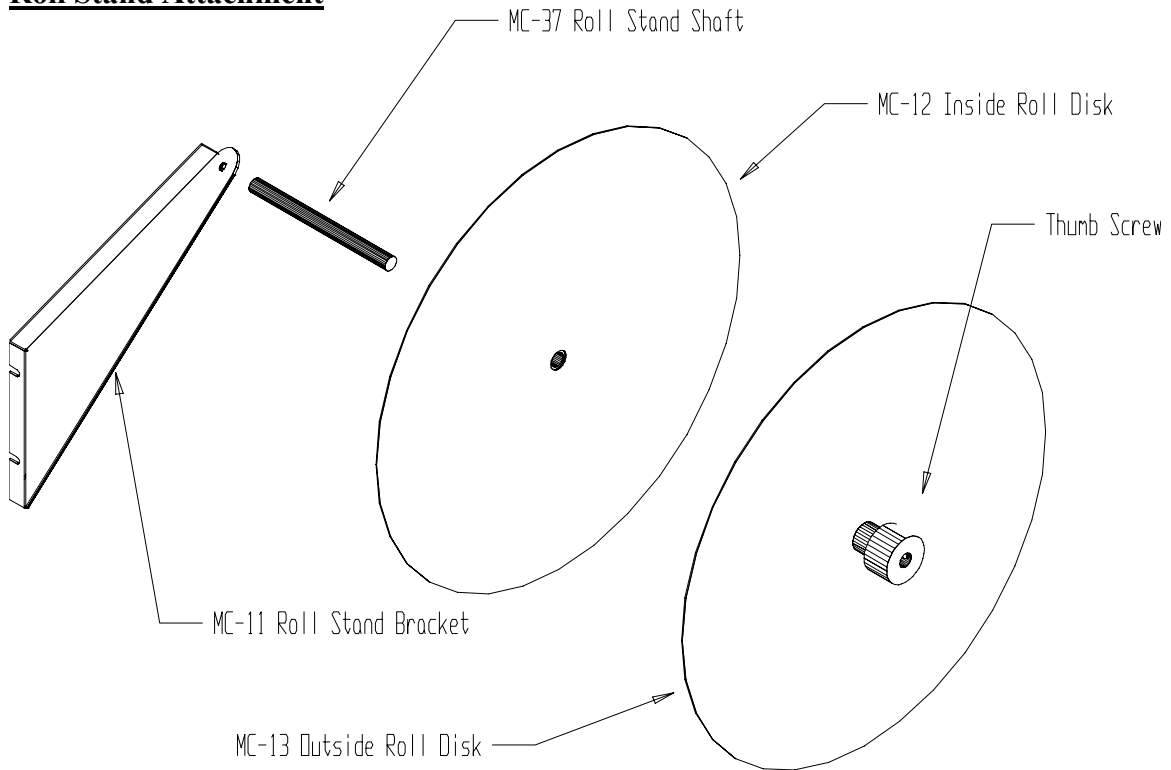
Parts Diagrams

Knife Box Assembly



MC-9	Lower Guard Plate	(4) 10-32 x 1/4" Button Head Screws
MC-10	Upper Guard Plate	None
MC-15	Limit Switch Actuator	(2) 10-32 x 1/4" Button Head Screws
MC-16	Knife Box	(4) 1/4-20 x 3/4" Socket Head Screws
MC-17	Top Blade Carrier	None
MC-18	Right Front Bracket	(2) 10-32 x 1/2" Socket Head Screws
MC-19	Left Front Bracket	(2) 10-32 x 1/2" Socket Head Screws
MC-20	Upper Leaf Springs	(2) 10-32 x 1/8" Button Head Screws
MC-21	Lower Leaf Springs	(2) 10-32 x 1/4" Button Head Screws
MC-22	Bottom Blade	(2) 10-32 x 1/4" Button Head Screws
MC-23	Top Blade	(2) 10-32 x 1/4" Button Head Screws

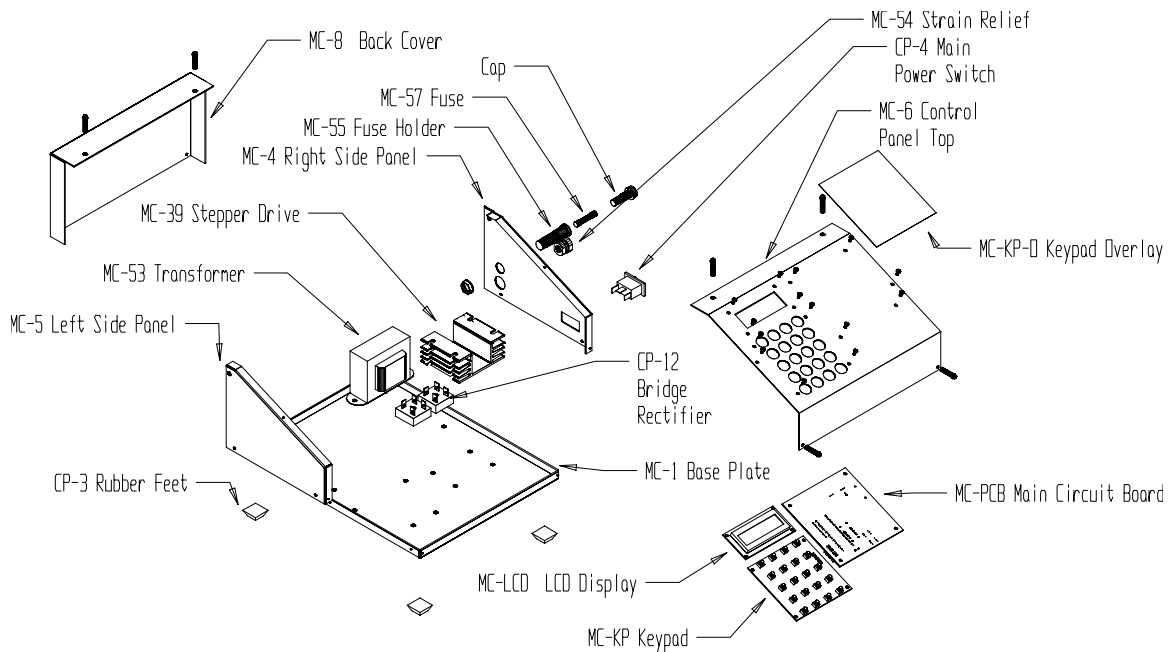
Roll Stand Attachment



MC-11 Roll Stand Bracket
MC-12 Inside Roll Disk
MC-13 Outside Roll Disk
MC-37 Roll Stand Shaft

(2) 10-32 x 1/2" Hex Screws
None
(1) 1/4-20 x 5/8" Thumb Screw
(1) 10-32 x 1/2" Button Head Screw

Enclosure and Electronics



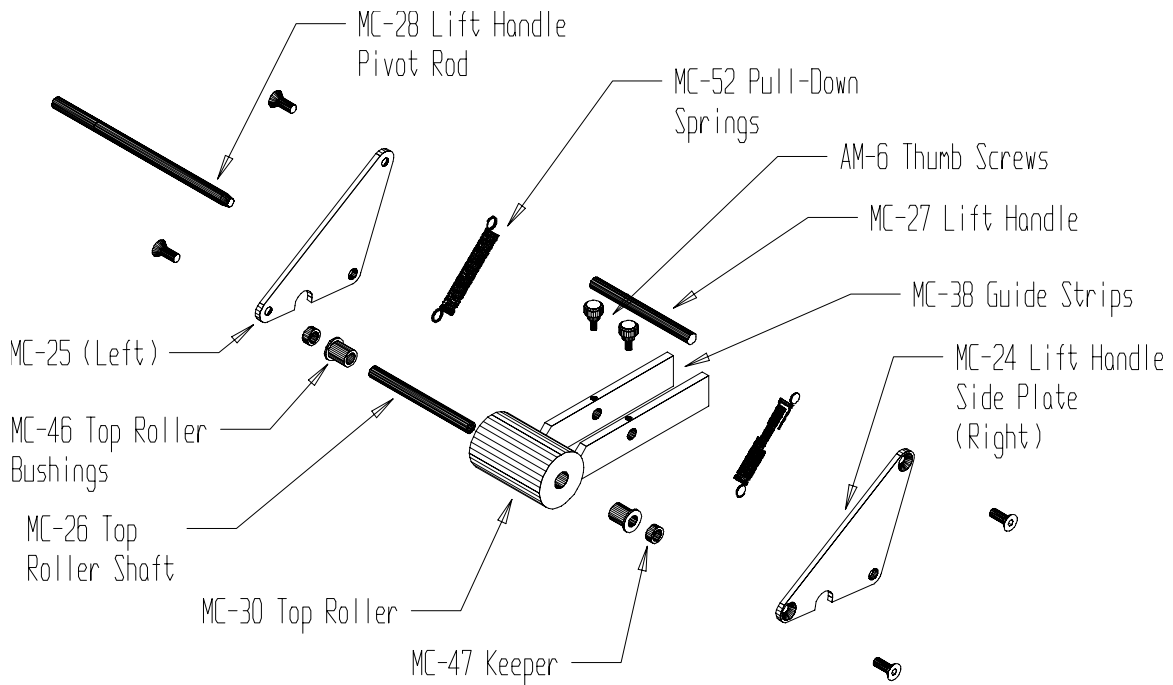
MC-1	Base Plate	None
MC-4	Right Side Plate	(2) #4 Phillips Head Sheet Metal Screws (1) 10-32 x 3/8" Button Head Screws
MC-5	Left Side Plate	(2) #4 Phillips Head Sheet Metal Screws (1) 10-32 x 3/8" Button Head Screws
MC-6	Control Panel Top	(4) #4 Phillips Head Sheet Metal Screws (2) 10-32 x 1/4" Button Head Screws
MC-8	Back Cover	(2) 10-32 x 1/4" Button Head Screws (2) #4 Phillips Head Sheet Metal Screws
MC-39	Stepper Drive	(4) 1/4-20 x 3/8 Button Head Screws
MC-53	Transformer	(2) 10-32 x 3/8" Button Head Screws
MC-54	Power Cord Strain Relief	Friction Fit
MC-55	Fuse Holder and Cap	Panel Mount
MC-57	Fuse	None
MC-KP	Keypad	(4) 4-40 x 1/2" Button head Screws (4) 4-40 hex spacers (4) 4-40 nuts
MC-KP-O	Keypad Overlay	Adhesive
MC-PCB	Main Circuit Board	(4) 4-40 x 1/2" Button head Screws (4) 4-40 hex spacers (4) 4-40 nuts
MC-LCD	LCD Display	(4) 4-40 x 1/2" Button head Screws (4) 4-40 hex spacers (4) 4-40 nuts

CP-3
CP-4
CP-12

Rubber Feet
Main Power Switch
Bridge Rectifiers

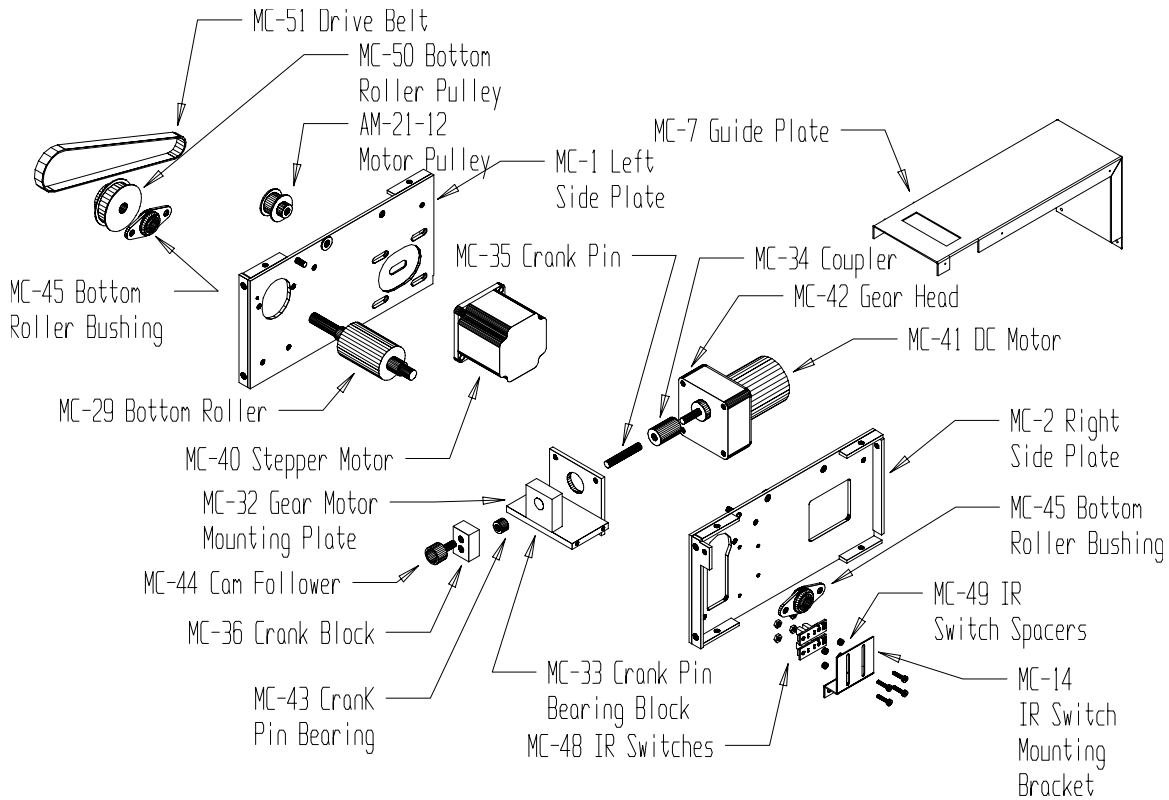
Adhesive
Panel Mount
(2) 10-32 x 5/8" Button Head Screws
(2) 10-32 nuts

Top Roller Lift Set



MC-24	Lift Handle Side Plate Right	None
MC-25	Lift Handle Side Plate Left	None
MC-26	Top Roller Shaft	(2) 10-32 x 1/2" Flat Head Screws
MC-27	Lift Handle	(2) 10-32 x 1/2" Flat Head Screws
MC-28	Lift Handle Pivot Rod	None
MC-30	Top Roller	None
MC-38	Guide Strips	(2) AM-6 Thumb Screws
MC-46	Top Roller Bushings	Friction Fit
MC-47	Keepers	Friction Fit
MC-52	Pull Down Springs	None

Inside Frame Assembly



MC-2	Right Side Plate	(2) 10-32 x 3/8" Button Head Screws
MC-3	Left Side Plate	(2) 10-32 x 3/8" Button Head Screws
MC-7	Guide Plate	(6) #6 x 1/2" Sheet Metal Screws (2) #4 x 1/4" Sheet Metal Screws
MC-14	IR Switch Mounting Bracket	Gear Motor Mounting Plate Screws
MC-29	Bottom Roller	None
MC-32	Gear Head Mounting Plate	(4) 10-32 x 1/2" Button Head Screws
MC-33	Crank Pin Bearing Block	(2) 10-32 x 1/2" Button Head Screws
MC-34	Coupler	(2) 10-32 x 1/4" Set Screws
MC-35	Crank Pin	None
MC-36	Crank Block	(2) 10-32 x 1/4" Set Screws
MC-40	Stepper Motor	(4) 1/4-20 x 1/2" Button Head Screws
MC-41	DC Motor	(4) 10-32 x 1 1/2" Screws (4) 10-32 nuts
MC-42	Gear Head	above
MC-43	Crank Pin Bearing	Friction Fit
MC-44	Cam Follower	(1) 10-32 nut
MC-45	Bottom Roller Bushings	(2) 10-32 x 1/4" Button Head Screws ea.
MC-48	IR Switches	(4) 4-40 x 1/2" Phillips Screws (4) 4-40 nuts

MC-50	Bottom Roller Pulley	Set Screws
MC-51	Drive Belt	None
AM-21-12	Motor Pulley	Set Screws

Other Parts Not Listed

MC-56	6 Pos Terminal Block
MC-58	Power Cord
MC-59	Main Power Harness
MC-60	Stepper Drive Control Cable
MC-61	IR Switch Cable
MC-62	Keypad Cable